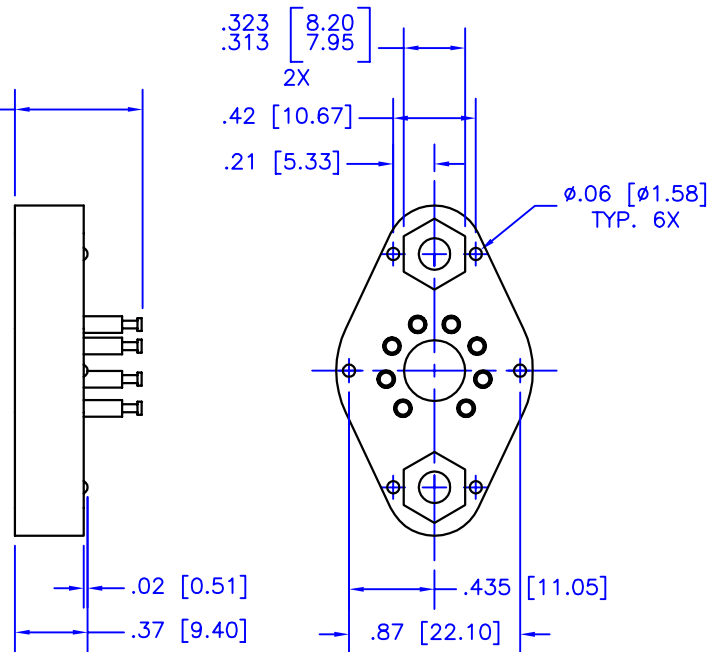
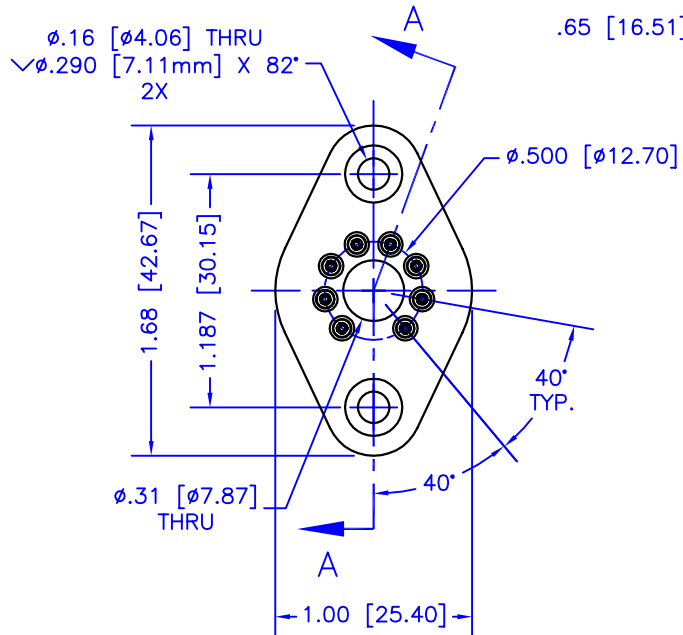
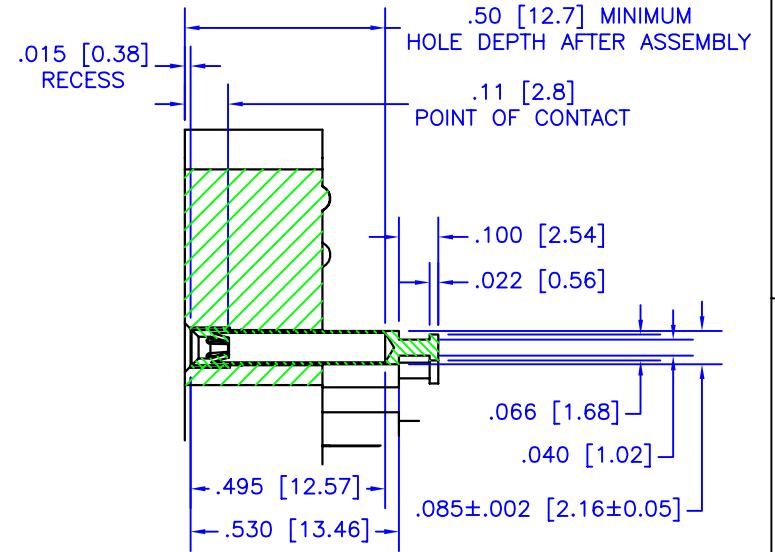
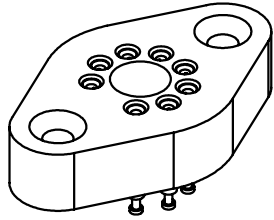
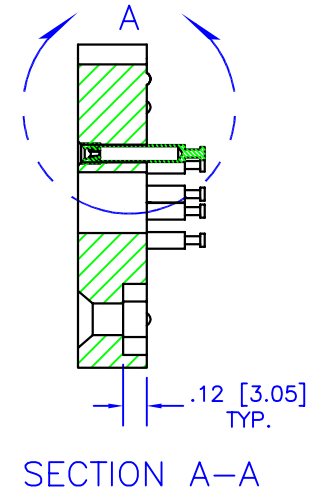


**NOTES:**

1. Dimensions are in inches & [mm].
2. Socket body: Glass-filled polyester, 94 VO rating, green in color
3. Receptacle shell: 360 brass, with 200 μin tin over 100 μin nickel
4. Receptacle contacts: Beryllium copper with 30 μin gold over 50 μin nickel
5. The continuous temperature rating of the socket shall be 150° C.
6. Contact resistance: 20 milliohms or less.



DETAIL A  
SCALE 2:1



TOLERANCES - UNLESS OTHERWISE SPECIFIED	
.XX	= ±.01 [.254]
.XXX	= ±.005 [.127]
ANG.	= ±1°



TITLE <b>TO3 PACKAGE SOCKET</b>		PACKAGE <b>MS03</b>	
SUBJECT MECHANICAL DRAWING			
ENG. D-M	TECH/DRAW. D-M	DCA 50038	SHL OF 1 1
FILENAME MS03-E	REV E	DATE 01/28/05	